

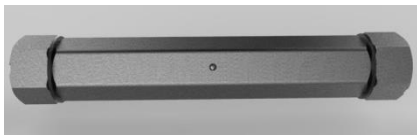
# MELNI CONNECTORS BD - CK - S



The Melni crew has accomplished perfection with the BD-CK series connector. The all new BD-CK-S reduces the need for crimp splices used in the industry today. Just like the BD2HL-S the BD-CK-S accommodates a range of cable and conductor sizes from 2/0 AWG down to #4 AWG. This butt splicing connector deploys Melni's innovative spiral insert technology to achieve astonishing installation speeds and tightening capabilities. Once again only two adjustable wrenches are needed to install

the BD-CK-S properly. The compact BD-CK-S measures 6.5" in length and 1" in width making it great for tight spaces. As with all of Melni LLC's products the BD-CK-S excels in making butt splice connection jobs faster, safer and easier.

## Melni's BD 2HL Advantages



- Range taking (2/0 AWG - #4 AWG)
- Tools needed: Two adjustable wrenches.

No Hydraulic Crimp Tooling Necessary!



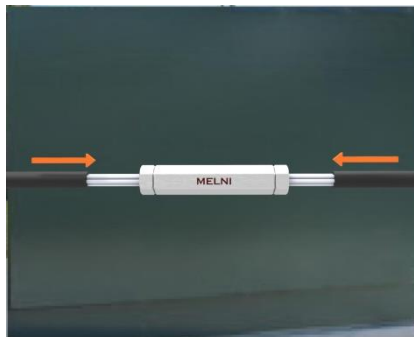
- Installation time of seconds produces fast, easy and safe butt splice connections.
- Melni's spiral insert technology exceeds the required UL secureness values.
- Compact and easy to install in tight places.

## BD - CK Install

1. Acquire all necessary parts and tools.



2. Insert cable/conductor into BD-CK



3. Tighten BD-CK nuts to specified torque.



## Current Crimp Splice

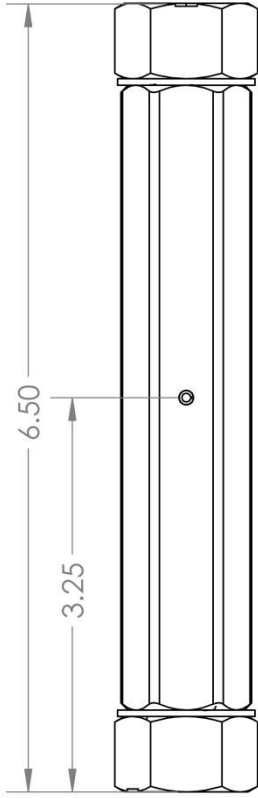
- Non range taking, each conductor wire requires a matching crimp style connector.
- Requires many expensive tools including a manual or hydraulic crimper with specialized dies.
- Crimp installation is both time intensive and deleterious to the shoulder and arms of electricians.

USPat#7794255-B2 issued 09-14-2010  
USPat#7901233-B2 issued 03-08-2011  
USPat#8066525-B2 issued 11-29-2011  
USPat#8246370-B2 issued 08-21-2011  
USPat#8771000-B2 issued 07-08-2014  
Can Pat No. 2,779,248 issued 11-03-2014

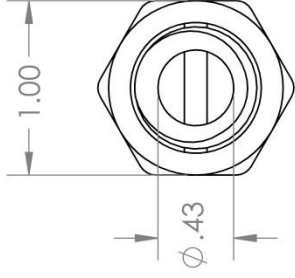


2

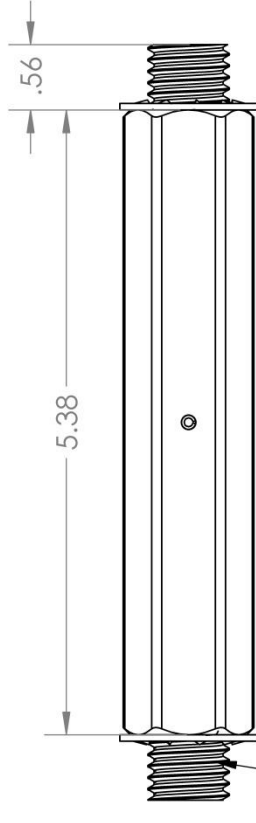
1



B

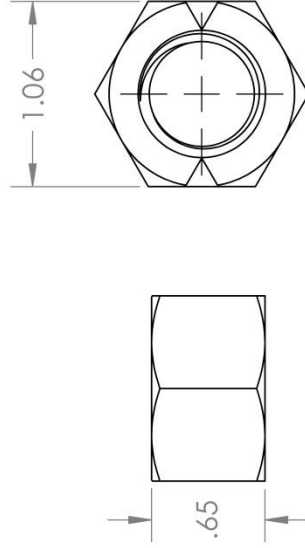


B



M18 x 2.5

A



A

PROPRIETARY AND CONFIDENTIAL  
 THE INFORMATION CONTAINED IN THIS  
 DRAWING IS THE SOLE PROPERTY OF  
 MELNI LLC. ANY REPRODUCTION IN PART  
 OR AS A WHOLE WITHOUT THE WRITTEN  
 PERMISSION OF Melni LLC IS PROHIBITED.

DIMENSIONS ARE IN INCHES  
 TOLERANCES: ± 0.05"  
 FRACTIONAL ±  
 ANGULAR: MACH ± BEND ±  
 TWO PLACE DECIMAL 0.05"  
 THREE PLACE DECIMAL ±

MATERIAL

6061 T6 Al.  
 6063 T6 Al.



TITLE:

BD-CK-S

2

1